

Hex HT03 and HT01 high temperature globe valves are designed for service to 1500°F at 500 psi working pressure. They are available in sizes up to 1-1/2"* with NPT, socket weld, butt weld or flanged end connections.

Hex high temperature valves are used as shutoff or block valves, as well as bleed valves on hydrogen scrubbers, compressors and in hydrocracking units.

*HT01 sizes up to 1" inlet x 0.75" outlet.

HT03 sizes up to 1" outlet standard, 1-1/2" inlet x 1-1/2" outlet consult factory.



HT01



HT03

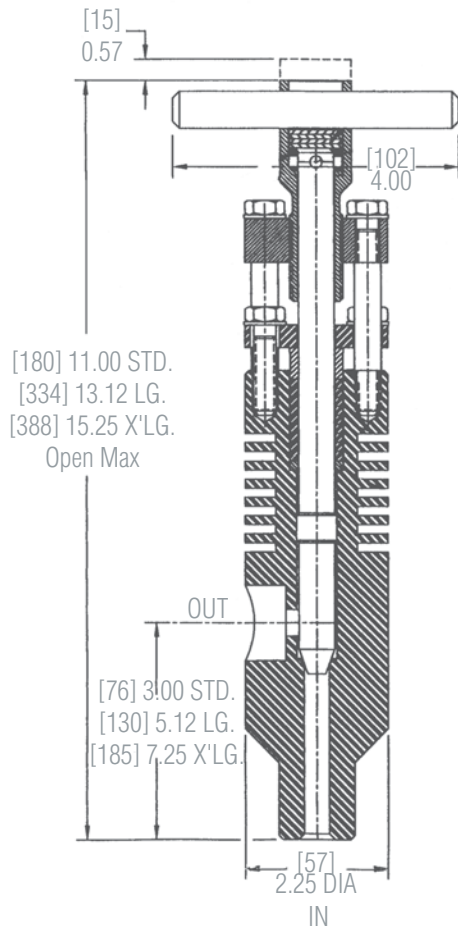
Flow Schematic - HT01



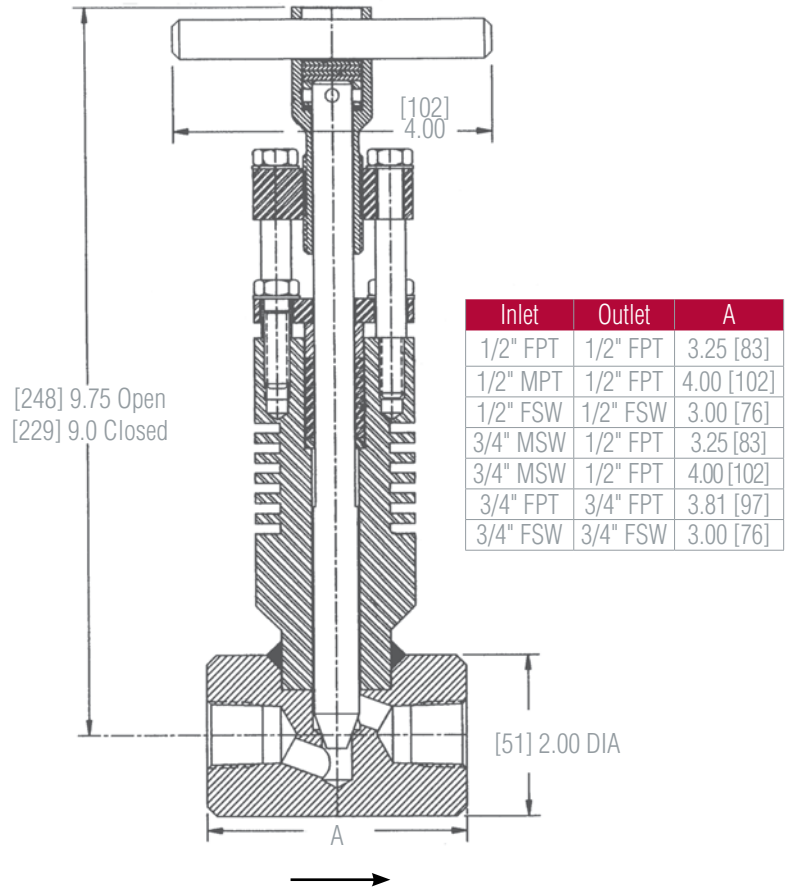
Flow Schematic - HT03



Dimensions – HT01



Dimensions – HT03



Inlet	Outlet	A
1/2" FPT	1/2" FPT	3.25 [83]
1/2" MPT	1/2" FPT	4.00 [102]
1/2" FSW	1/2" FSW	3.00 [76]
3/4" MSW	1/2" FPT	3.25 [83]
3/4" MSW	1/2" FPT	4.00 [102]
3/4" FPT	3/4" FPT	3.81 [97]
3/4" FSW	3/4" FSW	3.00 [76]

How to Order

Model Number	Hard Seat / Body	Body Material	Inlet Size	Inlet Type	Outlet Size	Outlet Type	Stem / Tip	Seat Material	Packing
HT01 = Angle Body	1 = Standard	S = Carbon Steel (A108)	3 = 1/2"	2 = MSW	3 = 1/2"	1 = FNPT	2 = 316 SS	1 = Integral	3 = Graphite
HT03 = T Body	2 = Long	U = Stainless Steel (SA-479; 316)	4 = 3/4"	4 = FSW	4 = 3/4"	2 = FSW	6 = I-600	2 = 316 SS*	
	3 = Extra Long	X = Alloy 20	5 = 1"*	5 = BW Sch. 40		3 = BW Sch. 40	7 = I-800	3 = Stellite*	
		I = Incoloy-810		6 = BW Sch. 80		4 = BW Sch. 80	9 = 316 SS / Stellite		
		J = Inconel-600		7 = BW Sch. 160		5 = BW Sch. 160			
		Q = F5		8 = BW Sch. XXS		6 = BW Sch. XXS			

* HT01 only

Sample Ordering Schematic

HT01	1	S	5	2	4	2	9	1	3
------	---	---	---	---	---	---	---	---	---