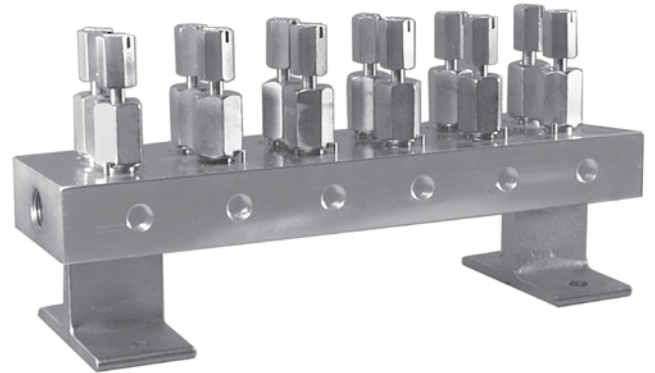


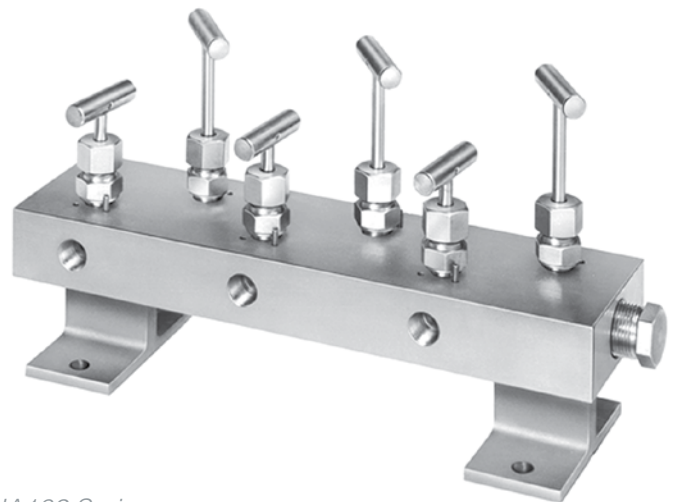
The HA06 & HA12 Series is a soft seated multi-valve manifold that allows you to connect one air/gas source to the inlet for distribution to up to 12 separate work stations; if additional work stations are required, simply attach another HA06 with nipples. The HA Series is used in place on conventional methods for the distribution of plant air and purge gases and feature o-ring seals and backseated bonnets to insure against stem leakage when the valves are fully open.

The HA162 Series is a line of multi-valve manifolds that are used for the distribution of plant air, instrument air or purge gases. The HA162 incorporates up to twelve shutoff valves into one integral valve assembly to provide a gas/air source for up to twelve working stations. When additional work stations are required, simply connect another HA162 using nipples.

The HA162 is typically used as a routing station with the primary source of gas piped into the inlet and distributed through lines connected to the six outlets. It can be used in place of the conventional field-fabricated assemblies of 2" pipe, nipples and needle valves for lower cost, easy-to-install valve assembly. For convenient installation, it can be bolted to a work station or mounted with U-bolts to a 2" pipe.



HA Series

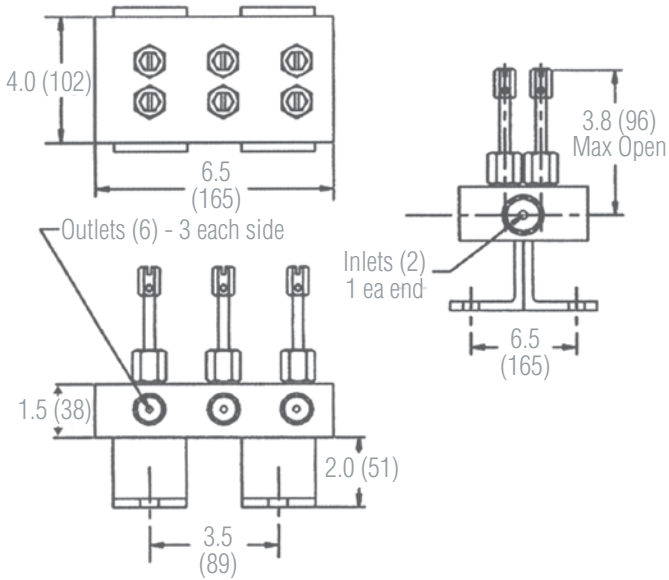


HA162 Series

Features and Benefits

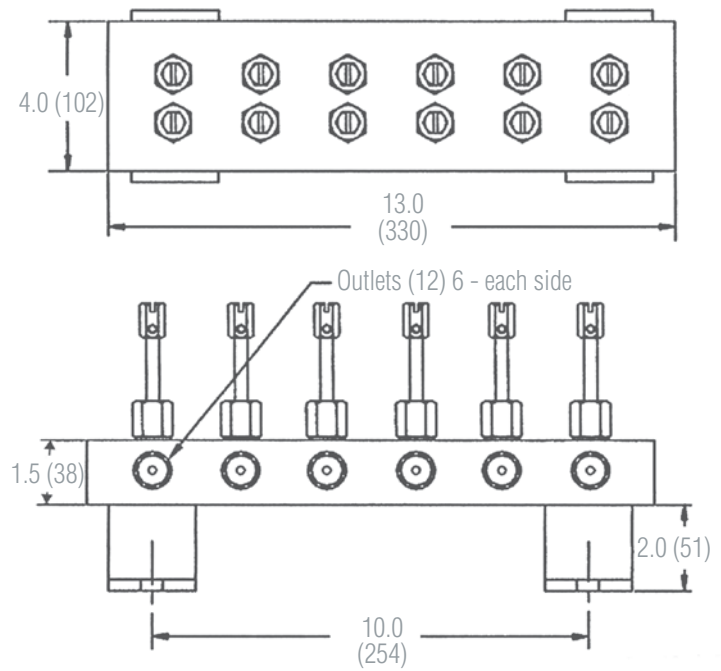
- **Reduce costs and installation time:** Use a distribution manifold in place of conventional field-fabricated assemblies of 2" pipe, nipples and needle valves for a lower cost, easier to install valve assembly
- **Reduces potential leakage:** The bubble-tight shutoff provided by the soft seats minimizes the potential for leakage. In addition, the integral valve design reduces the number of threaded connections for fewer potential leak points
- **Integral mounting plates:** Bolts directly to work station, or mounts with U-bolts to a 2" pipe
- **Fully backseated bonnets:** Prevents accidental stem removal and blowout. Bonnets are pinned to further prevent inadvertent removal
- **Anti-tamper handles:** The HA Series features anti-tamper safety handles that are operated with standard maintenance tools

Dimensions - HA06 Series



Weight: 13 lbs (6 kgs)
Orifice size: 0.19"

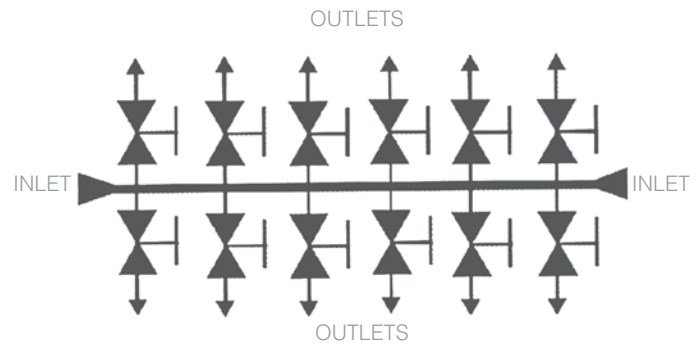
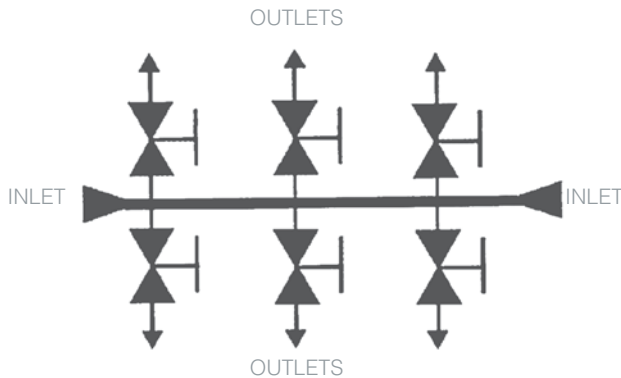
Dimensions - HA12 Series



Weight: 24 lbs (11 kgs)
Orifice size: 0.19"

Bolt hole placement and open bonnet dimensions match those of HA06

Flow Schematics



How to Order

Model Number	Seat/ Body Configuration	Body Material	Inlet Size	Inlet Type	Outlet Size/Type	Stem/Tip	Seat Material	Packing
HA06	G = Soft Seat/O-Ring	S = CS	3 = 1/2"	3 = FNPT	11 = 1/4" FNPT	2 = 316/316SS Needle	4 = PPS	1 = Braided (HA162)
HA12	2 = Soft Seat (HA162)	U = SS	4 = 3/4" (HA162)		31 = 1/2" FNPT (HA162)		5 = KEL-F	2 - TFE-Chevron (HA162)
HA162							6 = TFE	3 = Graphite (HA162)
							9 = PEEK	6 = Viton O-Ring (HA06 & H12)

Sample Ordering Schematic

HA	G	S	3	3	11	2	5	6
----	---	---	---	---	----	---	---	---