

The HG35 gauge valve, with a female or male inlet, female or male outlet and integral vent valve, meets the application requirement for a block and bleed valve without the need for a close nipple when connecting to a female port on a gauge pressure transmitter. The male outlet configuration provides one less threaded connection and therefore one less potential leak point.

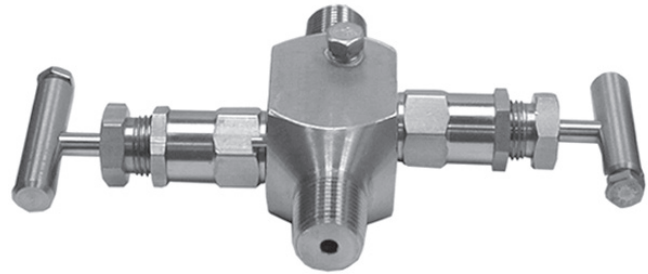
Other manufacturers generally supply 1/2" NPT female instrument connections on gauge valve installations. This usually requires the installation of a 1/2" stainless steel close nipple with each gauge or pressure transmitter.

### Product Availability

All valves are available with integral hard seats, 316 stainless steel and 316-NACE stainless steel body and trim and Teflon or Graphite packing. Hastelloy C, Monel and other materials are available upon request.

### Ratings (Metal Seated)

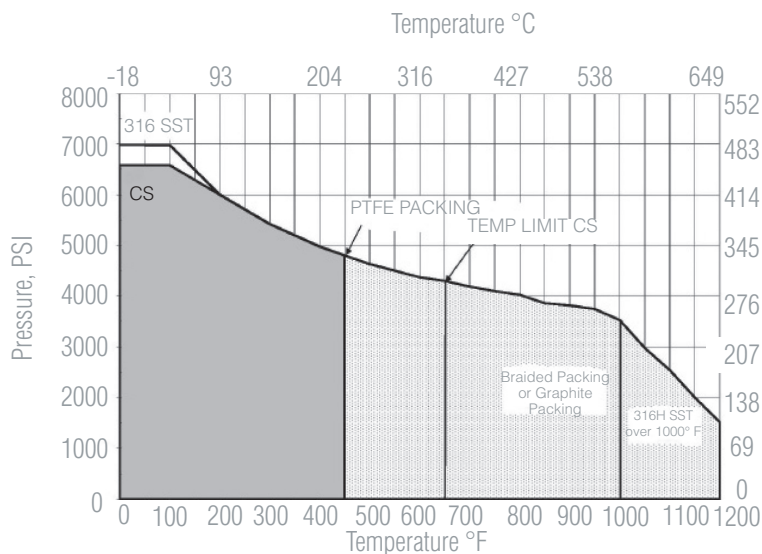
Stainless Steel: 6000 psig @ 450°F (414 bar @ 232°C)



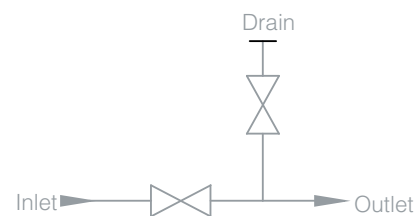
### Features and Benefits

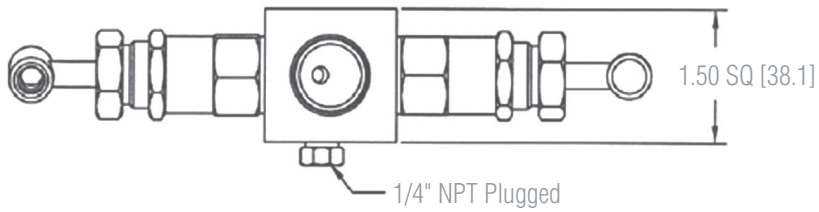
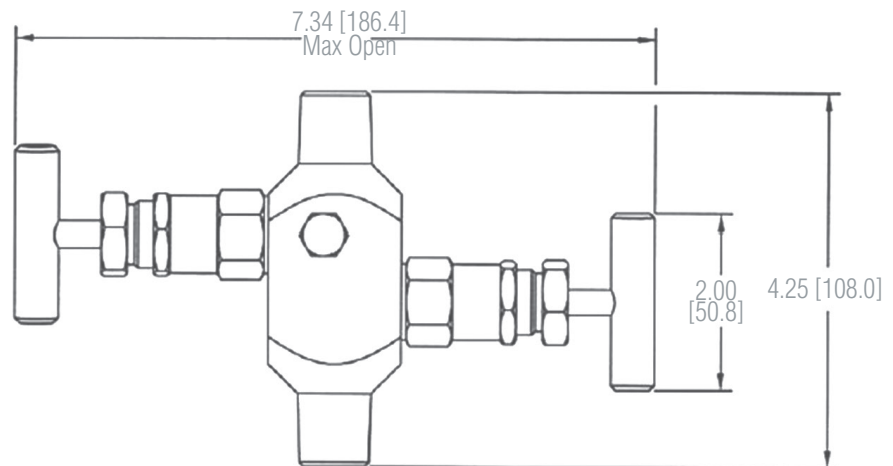
- Threads in the bonnet are above the stem packing to eliminate possible thread contamination by the process media.
- Non-Rotating Tip Provides tight repeatable shutoff without galling or cross scoring that occurs on ball type stems.
- Saves you costs by reducing the number of components.
- Reduces the number of leak points by combining 2 valves into one.

### Pressure and Temperature Chart



### Flow Schematic



**Dimensions**

 Orifice Size: 0.19"  
 Weight: 2.75 pounds (1,2 kgs)


How to Order									
Model Number	Seat Configuration	Body Material	Inlet Size	Inlet Type	Outlet Size	Outlet Type	Stem / Tip	Seat Material	Packing
HG35	1 = Hard	S = Carbon Steel (A108)	3 = 1/2"	1 = MNPT	3 = 1/2"	1 = FNPT	4 = 316 SS NRT	1 = Integral	2 = TFE - Chevron
		U = Stainless Steel (SA-479; 316)	4 = 3/4"	2 = MSW	4 = 3/4"	7 = MNPT			3 = Graphite/Grafoil/Graphite
		P = Carbon Steel (A105)		3 = FNPT					
				4 = FSW					

**Sample Ordering Schematic**

HG35	1	U	3	1	3	1	4	1	2
------	---	---	---	---	---	---	---	---	---