



Volume 6

Hex manifold applications for Remote Mounted Gauge Pressure Transmitters

On the following pages you will find instrument detail drawings of *conventionally* piped Gauge Pressure transmitter installations. The page following the conventional drawing demonstrates the simplicity and unique attributes that a Hex manifold can bring to the same application.

The benefits will become obvious as you proceed; less risk and cost because of fewer connections, less installation time and time saving maintenance features.

Note: The term “remote mounted” indicates that the instrument is mounted remote from the primary pressure source and connected by impulse tubing to a location at grade, or in an elevated area accessible to operators and instrumentation personnel.

This guide was created to illustrate in plain language specific instrument piping and valve simplification ideas that HEX VALVE can give your customers. Print these and use it as a guide to illustrate instrument piping simplification to your customers.

Good Selling,

Karl Lutkewitte

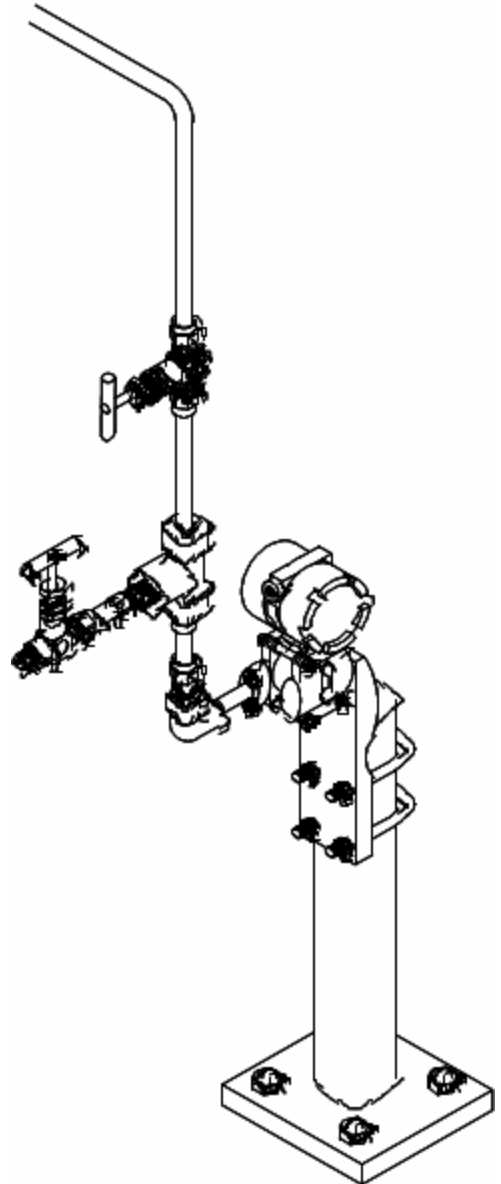


Conventional Remote Mounted Gauge Pressure Installations

Multiple component assembly of tubing valves, needle or ball valves, tubing tee's and elbows in a block and vent configuration.

- 10 threaded or tube fitting connections (potential leak points)
- Estimated 1 ¼ hours total installation time
- 10 minute bracket/transmitter install time

Note: Transmitter mounting bracket *mounts the transmitter, not the valves and tubing*. What happens when the transmitter is removed for service?

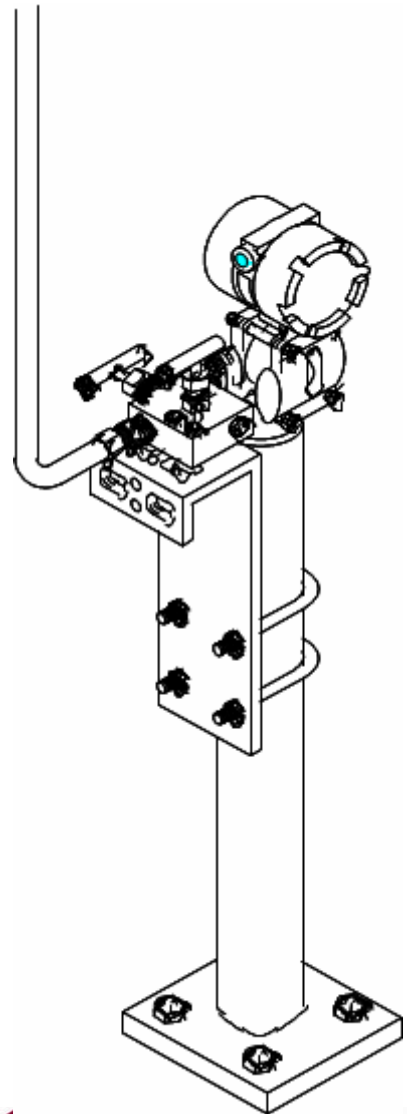


A basic Hex solution

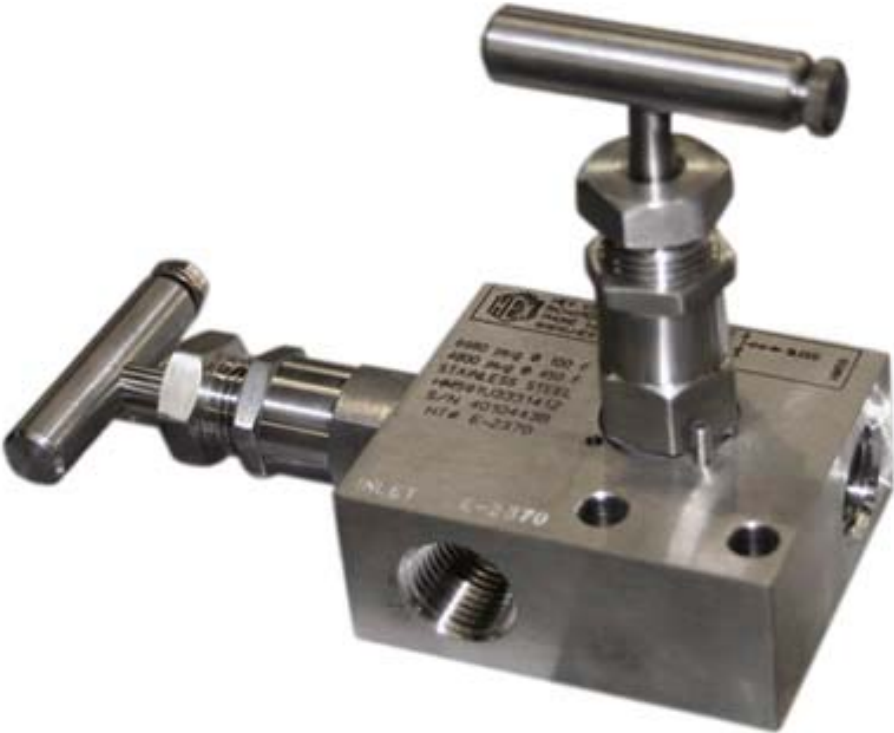
Simplified remote mounted, flanged GP transmitter using a threaded Hex **HM59** Block & Vent Manifold with **Hex Universal Removable Manifold Mounting Bracket**.

- 4 threaded connections
 - 45 minute reduction in total install time, only 30 minutes
 - At \$50/hour, that's \$37 in savings
 - Material savings = \$5
 - **Total Savings = \$42.00**
- 10 minute bracket/transmitter install time

Note: HEX Universal mounting bracket mounts the valve and tubing, *not the transmitter*.



A basic Hex solution



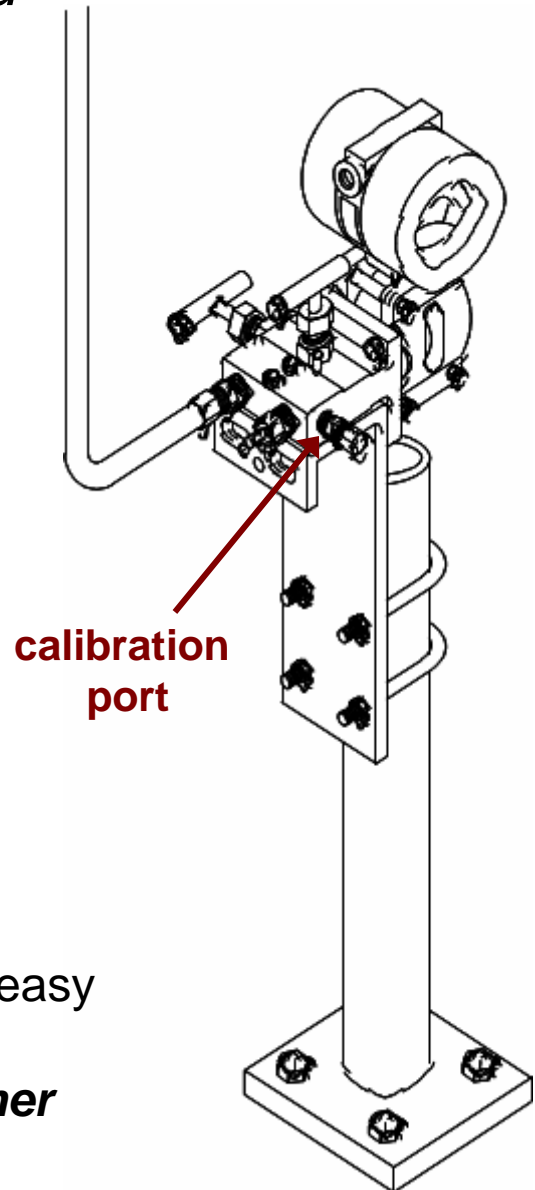
Hex Valve

A unique Hex solution

Simplified remote mounted, flanged GP transmitter installation using *flanged Hex **HM50** Block/Vent & Calibrate Manifold with Hex Universal Removable Manifold Mounting Bracket.*

- 3 threaded connections
 - 45 minute reduction in total install time, only 30 minutes
 - At \$50/hour, that's \$37 in savings
 - **Total Savings = \$37.00**

Note: Calibration port promotes easy *wrench-less* field calibration (10 minutes less/calibration.) **No other competitor offers this feature.** Order with your customers choice of calibration fitting pre-installed.



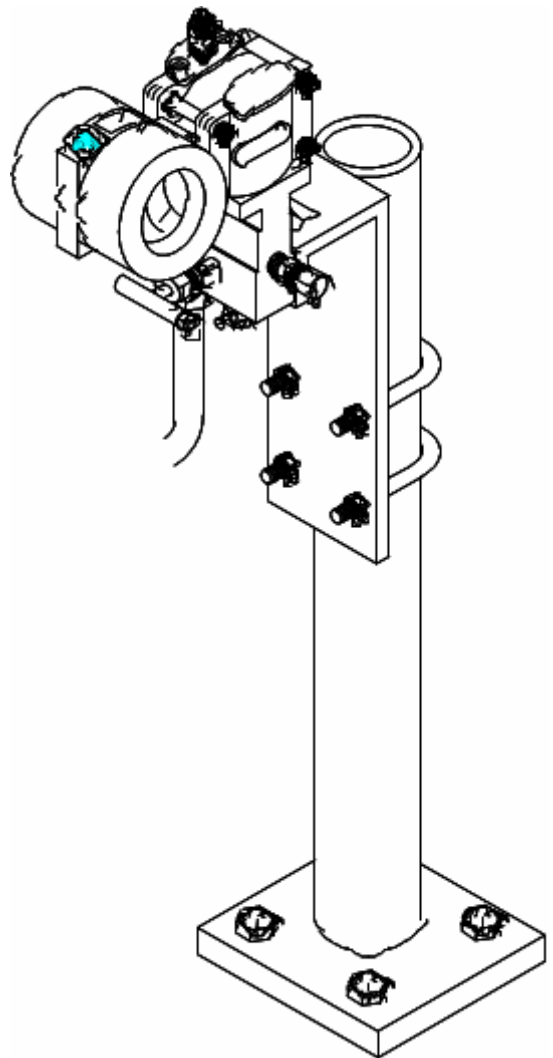
A unique Hex solution



Alternate mounting arrangement

The *Hex Universal Removable Manifold Mounting Bracket* facilitates manifold mounting of any Hex flanged or barstock manifold 360°, in 90° increments on either the *horizontal* or *vertical* mounting surface.

Note: This bracket is constructed of 3/8" plate steel (CS or 316) and is the strongest mounting platform in the industry.



Alternate mounting arrangement



Hex Valve