



# HexBlok Products

10MM Globe or Rising Stem Plug Style  
Single Block, Block and Bleed, and Double Block and Bleed  
Flanged Instrument Isolation Valves



**HexBlock. . .**

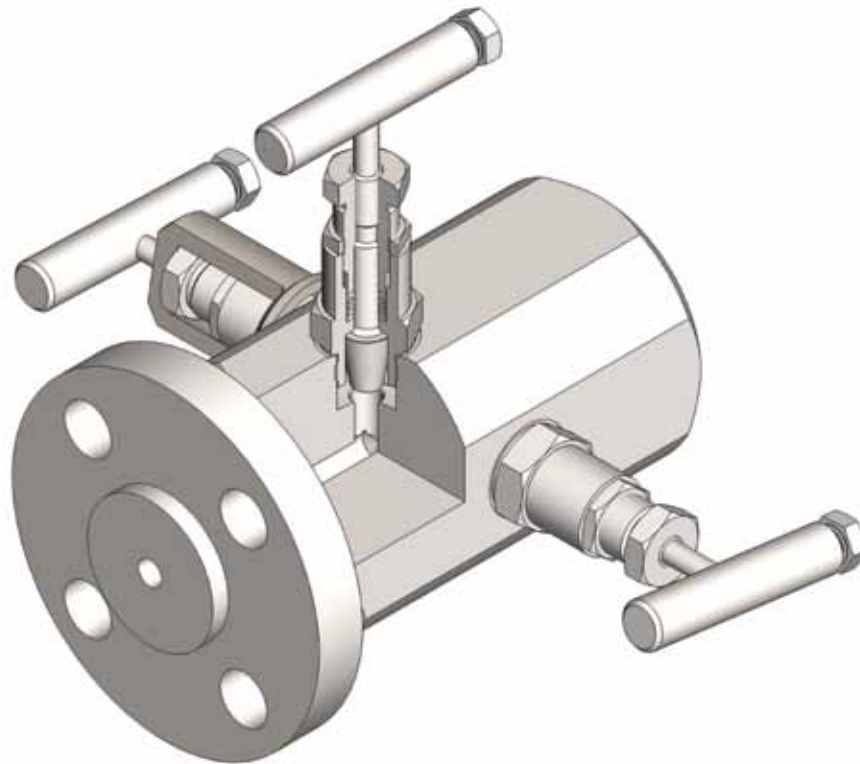
Built Hex tough for a lifetime of use. See how inside . . .

**HEXVALVE**

A Division of  
Richards Industries  
3170 Wasson Road  
Cincinnati, OH 45209

toll free. 800.543.7311  
local. 513.533.5600  
fax. 513.871.0105

[www.hexvalve.com](http://www.hexvalve.com)

**HEXBLOK VALVES****HEXBLOK**

HEXBLOK: Designed and manufactured by the company that produced the Oil and Gas industries first primary gauge and orifice valves. Hex is proud to manufacture the most rugged and dependable Double Block and Bleed design used today. See for yourself, Hex builds tough valves.

**APPLICATIONS**

HEXBLOKS are used primarily on Upstream Offshore/Onshore Oil production and initial processing installations. Typically used on liquid hydrocarbon applications to minimize the size and weight of the pipe-valve assemblies associated with gauge pressure or analytical instrumentation. Used specifically for primary and/or secondary isolation, vent and calibration access.

The new standard 3/8" (10mm) porting along with a variety of standard features and options, porting makes the Hexblok stand out among competitive valves.

Also used in downstream Oil Refining and Petrochemical production on flanged process piping.

## *SPECIFICATIONS: GLOBE STYLE VALVES*

### **WORKING PRESSURE**

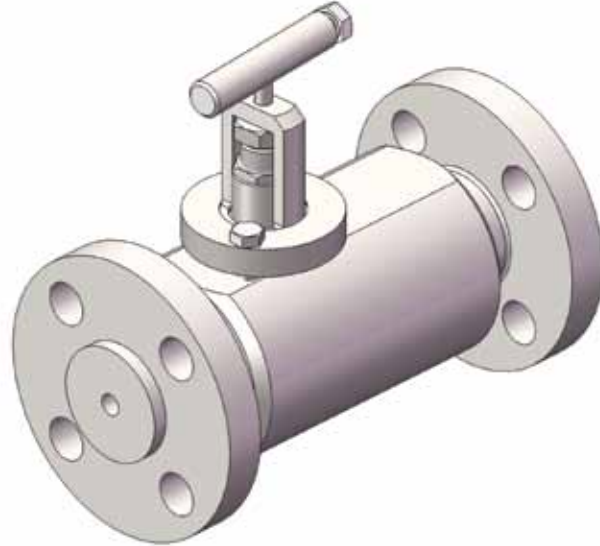
In accordance to ASME B16.5 for class 150 to 2500

### **WORKING TEMPERATURES**

450°F (232°C) for Teflon packing  
1000°F (528°C) for Graphite packing

### **CERTIFICATIONS**

API 607 5th Edition (Fire Test)  
ASME VIII (pressure boundaries)  
PED  
ANSI B16.5 (flange dimensions)  
EN 10204.3.1 (material traceability)



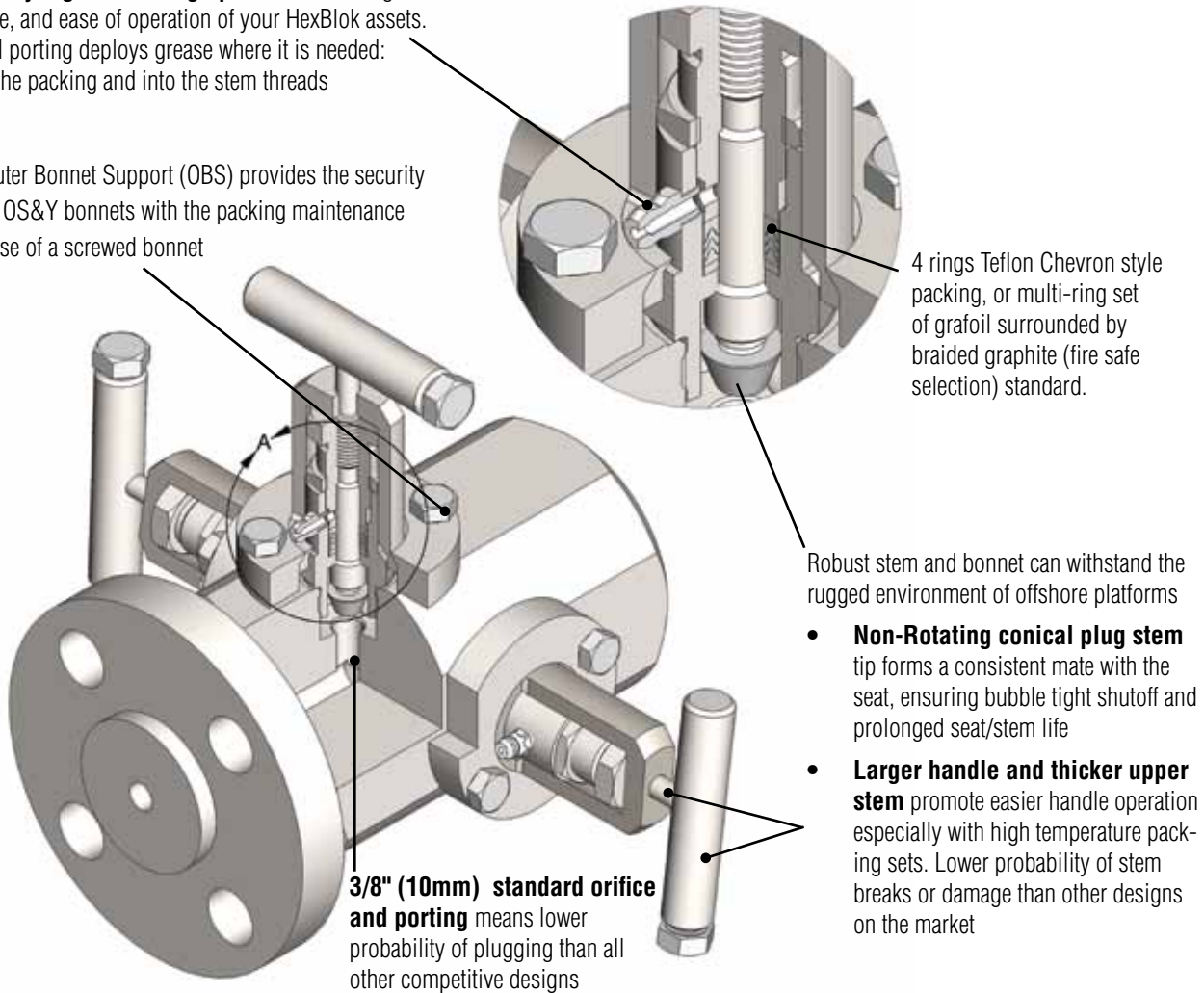
### **HEXBLOK ADVANTAGES & CUSTOMER BENEFITS**

- Large, 3/8" (10mm) standard orifice and porting, resulting in a lower probability of plugging.
- OBS (Outer Bonnet Support) design provides the security of OS&Y bonnets with the packing maintenance ease of a screwed bonnet.
- Optional "Zerk" style high pressure grease fitting option ensures long term stem/valve life, and easier stem operation. Internal porting deploys grease where it is needed most: above the packing and into the stem threads, for lubrication and environmental protection.
- Large, robust bonnet and NRT stem design means higher probability of long life, and less break risk than competitive designs
- Hex was the first in the industry to utilize Non-Rotating Stem Tip (NRT) technology. When the stem tip contacts the seat, it stops rotating, preventing the cross scoring and eventual leaks that can occur with ball type stems
- 4 rings Teflon Chevron style packing, or multi-ring set of grafoil surrounded by braided graphite standard.
- API 607 5th Edition (fire test) Standard (Graphite-packed and hard seat models only)
- Large variety of standard and optional forged or bar materials and outlet options, means you can select the style and material you need immediately from catalog, instead of having to contact the factory
- Special built-to-order design inquiries welcome

## HEXBLOK VALVES: GLOBE STYLE VALVES

**"Zerk" style grease fitting option** ensures long term life, and ease of operation of your HexBlok assets. Internal porting deploys grease where it is needed: above the packing and into the stem threads

Outer Bonnet Support (OBS) provides the security of OS&Y bonnets with the packing maintenance ease of a screwed bonnet



4 rings Teflon Chevron style packing, or multi-ring set of grafoil surrounded by braided graphite (fire safe selection) standard.

Robust stem and bonnet can withstand the rugged environment of offshore platforms

- **Non-Rotating conical plug stem tip** forms a consistent mate with the seat, ensuring bubble tight shutoff and prolonged seat/stem life
- **Larger handle and thicker upper stem** promote easier handle operation especially with high temperature packing sets. Lower probability of stem breaks or damage than other designs on the market

**3/8" (10mm) standard orifice and porting** means lower probability of plugging than all other competitive designs

Note: Bonnet stop pin standard on screwed bonnets. Competitor's hollow spring steel pins can corrode and crack in salt water or corrosive ambient environments.

- 1/2" - 14 NPT, FSW, Tube Socket, and Multiport Gauge Outlet options are standard selections (note: vent is 1/2" FNPT)
- Standard body of materials: A105 Carbon Steel, A105 NACE Carbon Steel, A350 FL2 Carbon Steel, A182F 316L Stainless Steel, A182F NACE 316L Stainless Steel, Monel 400, Hastelloy C, Inconel 600, Inconel 625, Incoloy 800, A182 F51 Duplex & A182 F53 Super Duplex

Standard bonnet materials

Valve Body Material

All grades of Carbon Steel and 316L SS  
 Monel 400  
 Hastelloy C  
 Inconel 600 & Inconel 625  
 Incoloy 800  
 Duplex & Super Duplex

Bonnet Material

316/316L NACE SS bonnets  
 Monel 400  
 Hastelloy C  
 Inconel 625  
 Incoloy 800  
 Super Duplex

- Screwed bonnet and OBS bonnets available
- Raised face (RF) and Ring Type Joint (RTJ) flange styles standard

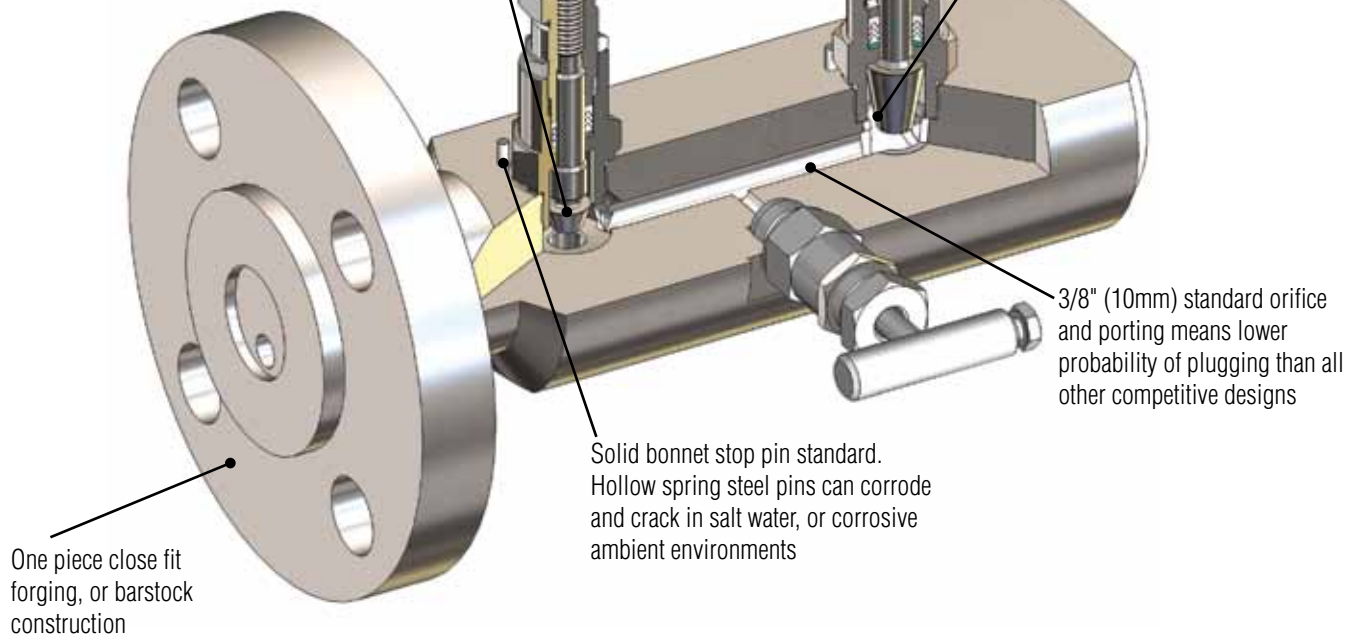
## HEXBLOK VALVES: GLOBE STYLE AND RISING STEM PLUG VALVE STYLE

Non-Rotating Tip (NRT) conical plug stem forms consistent mate with the seat ensuring bubble tight shutoff and prolonged stem and seat life

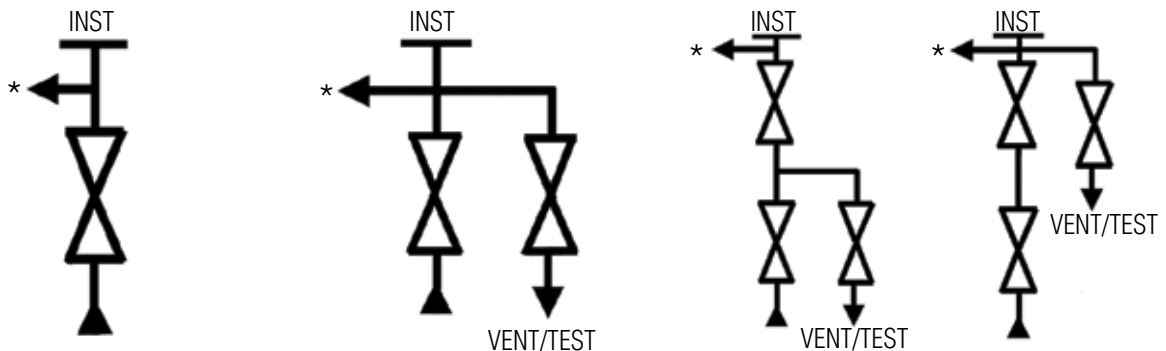
Robust stem and bonnet construction. Can withstand the rugged environment of offshore platforms better than any other design on the market

Combination anti-tamper with lock-out bonnet option

Rising stem plug style valve permits straight through porting (for rodout) with a traditional bonnet design (body configuration # 2)



## FLOW SCHEMATIC



For Models: **HK10, HK11**

**HK20, HK21**

**HK30, HK31**

**HK40, HK41**

\* Side instrument outlet available as option



# PRODUCT DESIGNATOR - HEXBLOK

MODEL	BODY CONFIG.	BODY MAT'L	INLET SIZE	INLET TYPE	OUTLET SIZE	OUTLET TYPE	STEM/TIP	SEAT MAT'L	PACKING	OPTION	OPTION
HK10	2	2	3	C	3	1	4	1	3	A	8

MODEL	TYPE
HK10	Single Block Screwed Bonnet
HK11	Single Block 'OBS' Bonnet
HK20	Single Block & Bleed Screwed Bonnet
HK21	Single Block & Bleed 'OBS' Bonnet
HK30	* Double Block & Bleed Screwed Bonnet
HK31	* Double Block & Bleed 'OBS' Bonnet
HK40	** Double Block & Bleed Screwed Bonnet
HK41	** Double Block & Bleed 'OBS' Bonnet

\* Block > Bleed > Block

\*\* Block > Block > Bleed

BODY CONFIGURATION	
1	Hard Seat Primary and Secondary Block valve and Vent valve
2	Soft Seat Primary & Secondary Block Valves, with Hard Seat Vent Valve
3	Hard Seat Primary and Vent Valve and Soft Seat Secondary Block Valve (HK30 and HK31 only)

# 2 & 3 - soft seat is limited to 200°F and 1500 psi (103°C and 93 bar)

MATERIAL	
2	A182F 316L (forged)
H	Hastelloy C
I	Incoloy 800
J	Inconel 600
K	Low Temp CS A350 LF2 (forged)
M	Monel 400 (forged)
N	Carbon Steel, A105 NACE
P	Carbon Steel A105
3	A182F 316L NACE (forged)
6	Duplex A182 F51 (forged)
7	Inconel 625 (forged)
4	Super Duplex A182FS3 (forged)

INLET SIZE	
3	1/2" (DN15)
4	3/4" (DN20)
5	1" (DN25)
6	1-1/2" (DN40)
7	2" (DN50)

INLET TYPE	
C	150# RF
D	300# RF
G	600# RF
H	900/1500# RF
K	2500# RF

OUTLET SIZE	
3	1/2" (DN15)
9	Flanged (same as inlet)

OUTLET TYPE	
1	FNPT Outlet*
2	FSW Connection
W	Tube Socket Connection
N	HB521 with two plug**
9	Flanged (same as inlet)

\* 2 outlets standard for vertical or horizontal instrument mount

\*\* Three outlet "T" adaptor to allow for alternate upright gauge mount on horizontal pipe, or multiple instrument take-offs.

STEM / TIP	
3	316/316 NACE NRT Stem
4	316/316 NRT Stem
5	316/Stellite NRT Stem
B	Monel/Monel NRT Stem
D	Hast C/Hast C NRT Stem
K	316/Monel NRT Stem

CS valves come standard with 316/316L NACE SS bonnets

SEAT MATERIAL	
1	Integral Seat
2	* Teflon (Body configuration "2" and "3" only)

\* Contact factory for other seat materials

PACKING	
2	Teflon Packing
3	Graphite Packing (fire safe selection)

OPTION	
A	RTJ Ring Joint
B	Bonnet Grease Fittings
C	1/2" - 14 NPT plugged vent option

OPTION	
9	Tamper proof/lockout handle - vent valve
8	Tamper proof/lockout handle - block valve



A Division of Richards Industries  
 3170 Wasson Road  
 Cincinnati, OH 45209  
 toll free. 800.543.7311  
 local. 513.533.5600  
 fax. 513.871.0105  
 www.hexvalve.com