



# Equalizing Manifolds

HE30 Series



## **HEXVALVE**

A Division of  
Richards Industries  
3170 Wasson Road  
Cincinnati, OH 45209

toll free. 800.543.7311

local. 513.533.5600

fax. 513.871.0105

[www.hexvalve.com](http://www.hexvalve.com)

## HE30 SERIES

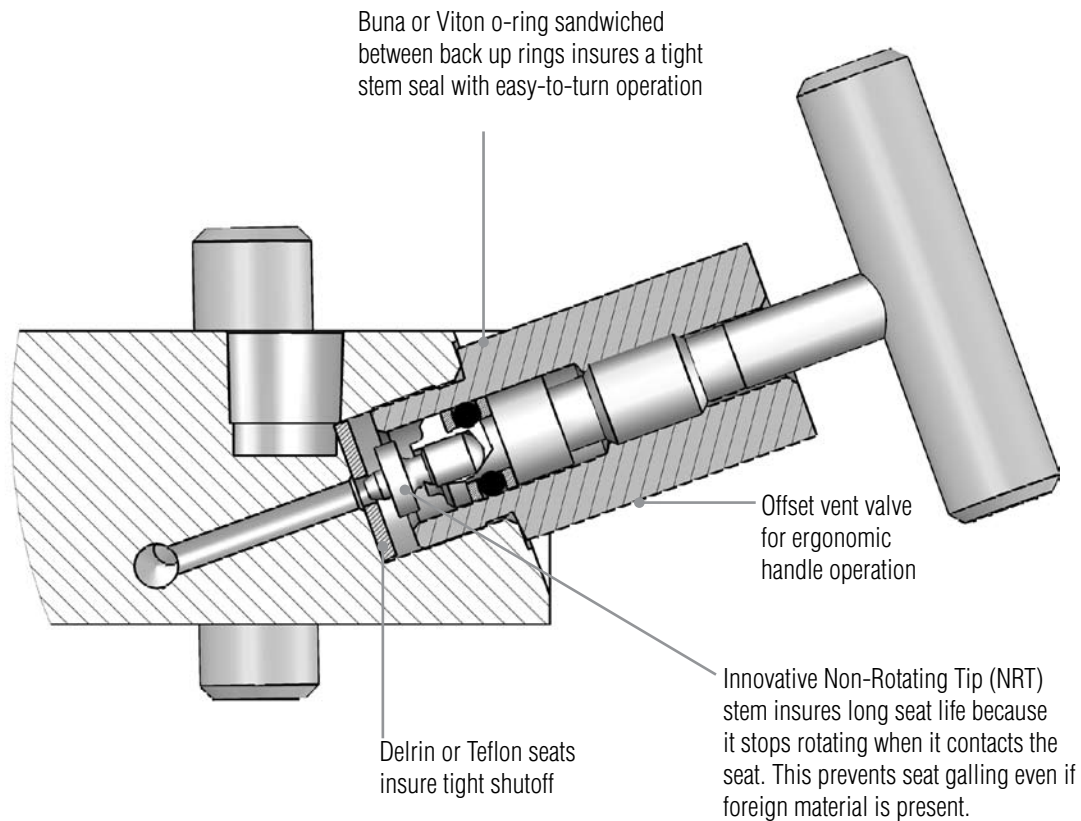
### THE HE30

Most upstream gas and oil producers measure volumetric or mass flow from individual wellheads, and downstream at well field collection points. Since most of these meter runs are constructed at grade level, or on grade level mounted skids, the primary shutoff valves are typically provided on the the orifice taps.

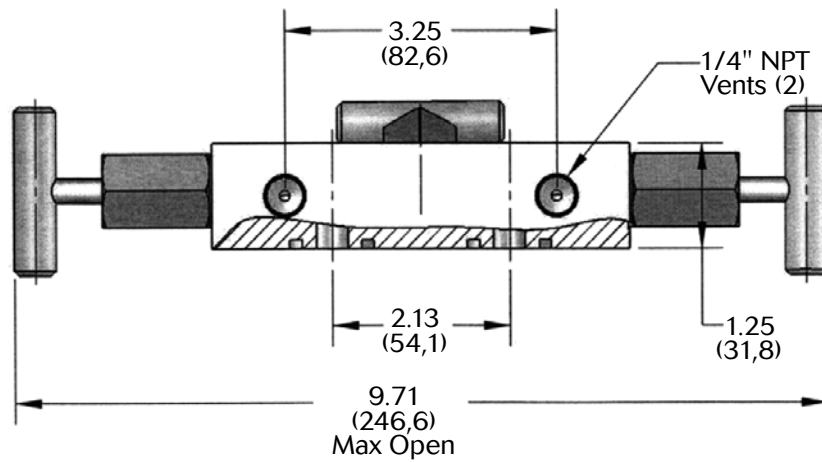
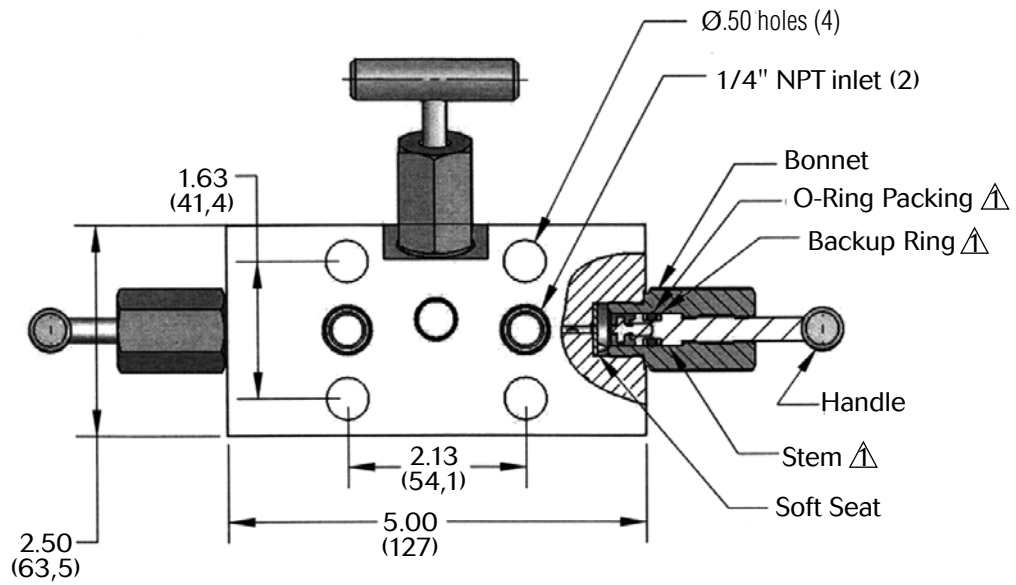
The HE30 3-valve equalizing manifold was built for these applications. It is a compact and cost effective alternative to the more costly 5 valve manifold. Delrin® or Teflon® soft seat valves insure redundant equalizer isolation, eliminating the possibility of costly leaks there, or through the vent/calibrate valve. That feature coupled with Hex's innovative Non-Rotating soft seat stem tip insure accurate resource accounting and long valve life.



## FEATURES & BENEFITS

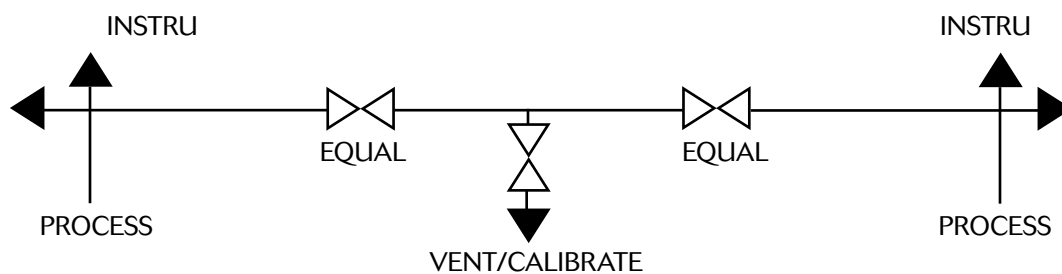


## DIMENSIONS



$\Delta$  Recommended spare parts

## FLOW SCHEMATIC



## ORDERING SCHEMATIC

MODEL	BODY CONFIGURATION	MATERIAL	INLET SIZE	INLET TYPE	OUTLET SIZE	OUTLET TYPE	STEM/TIP	SEAT MAT'L	PACKING
HE30	G	S	1	3	9	9	4	C	5

MODEL	TYPE
HE30	Equalizing Manifold

9	OUTLET SIZE
9	Flange

5	BODY CONFIGURATION
1	Hard Seat
F	O-Ring Packing & Hard Seat
G	O-Ring Packing & Soft Seat

10	OUTLET TYPE
9	Flange

6	MATERIAL
S	Carbon Steel
U	Stainless Steel

11	STEM/TIP
4	316/316

7	INLET SIZE
1	1/4"

12	SEAT MATERIAL
C	Delrin
1	Integral Seat
6	Teflon

8	INLET TYPE
3	FNPT

13	PACKING
2	Teflon
5	Buna-N
6	Viton O-Ring

Teflon packing available with hard seat body configuration

Buna-N and Viton O-Ring available with O-Ring body configuration



3170 Wasson Road  
Cincinnati, OH 45209

toll free. 800.543.7311  
local. 513.533.5600  
fax. 513.871.0105

hex@richardsind.com  
www.hexvalve.com