



Volume 2

An application review of Hex Gauge Pressure manifolds for *Remote Mounted Instruments*

On the following pages you will find instrument detail drawings of traditionally piped remote mounted Gauge Pressure instruments.

The slide following each traditional drawing demonstrates the simplicity that a variety of Hex Manifolds can bring to the same application.

The benefits will become obvious as you go through these pages; less risk and less cost because of fewer connections and a lower Total Installed Cost.

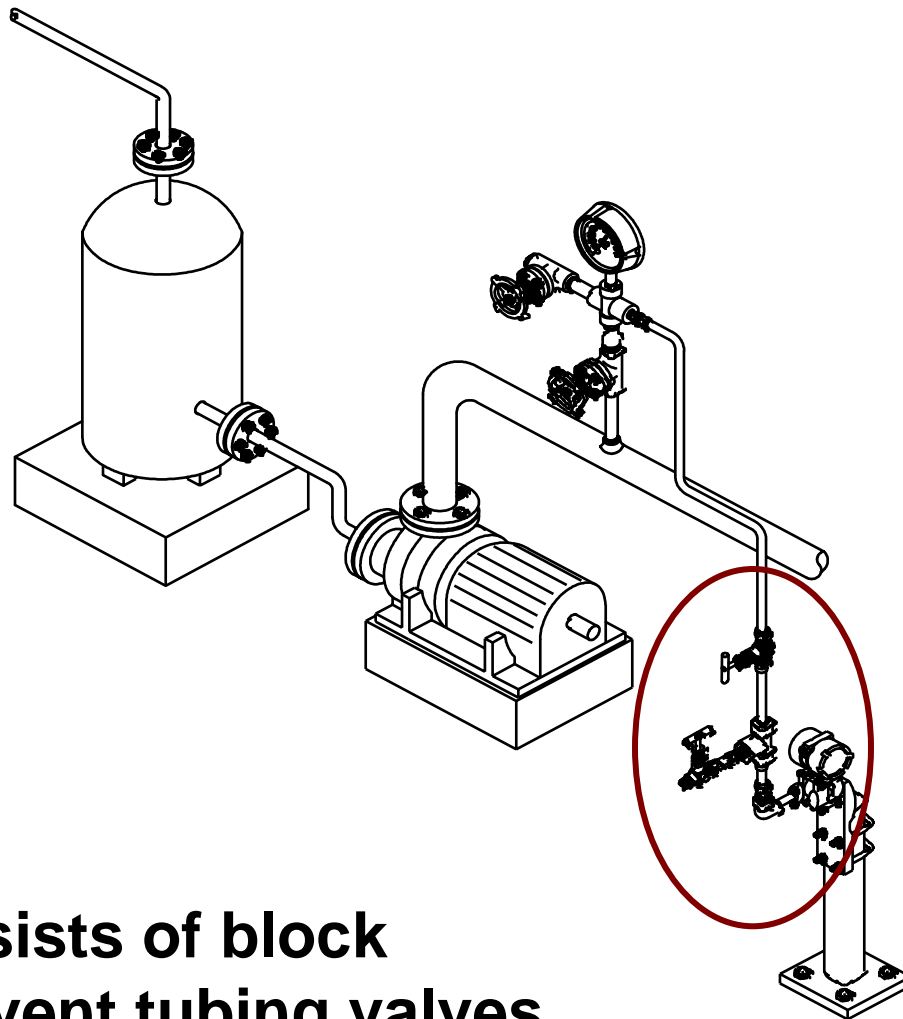
Good Selling,

Karl Lutkewitte



Remote Gauge Pressure Installation

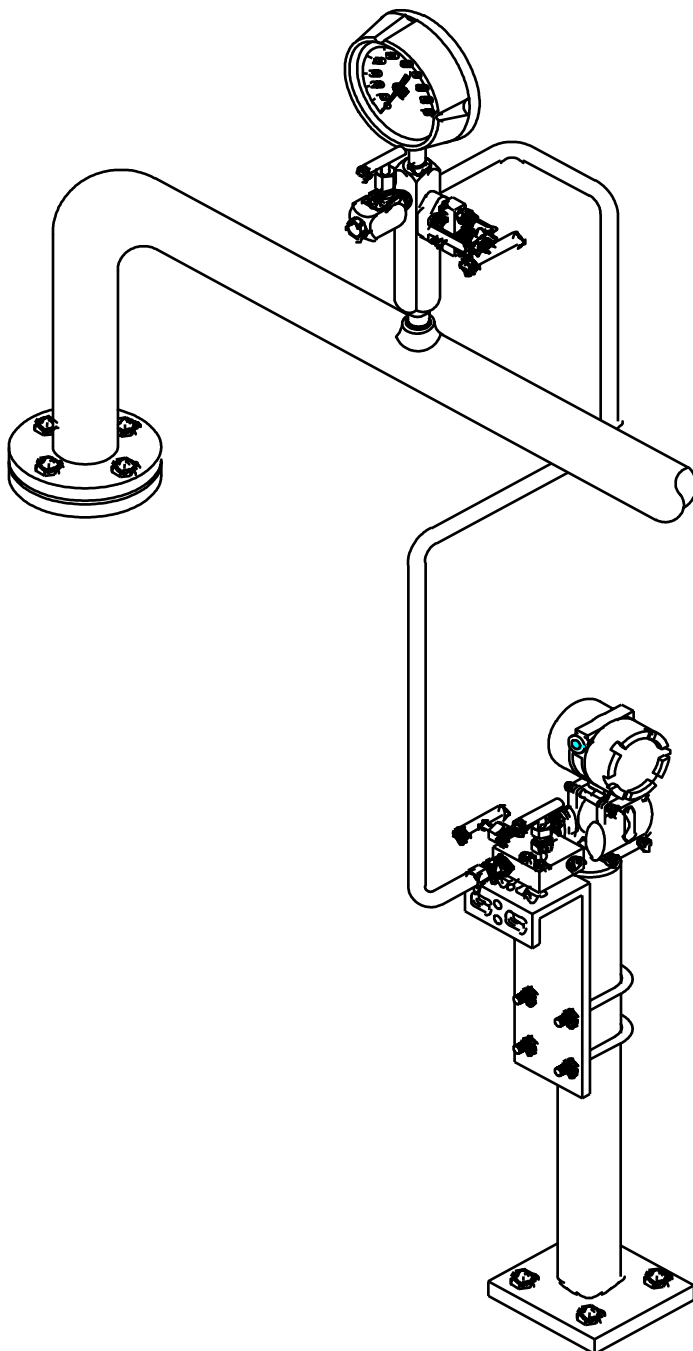
Conventional remote mounted, threaded inlet gauge pressure transmitter



Consists of block and vent tubing valves, fittings, and tee assembly. Transmitter mounting bracket.

The Hex Solution

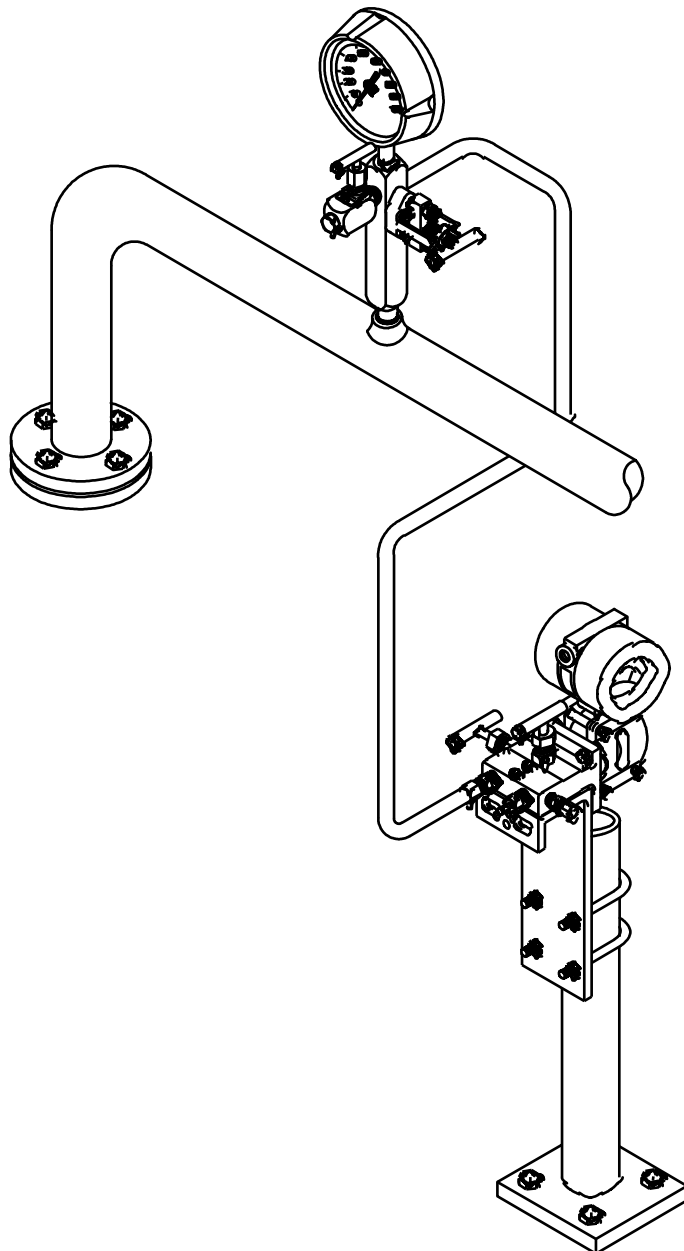
**Simplified remote mounted,
(*threaded* inlet) gauge pressure
transmitter installation.**



**Hex HM59
Block/Vent
Manifold with
Hex HVMB
Removable
Manifold
Mounting
Bracket.**

Hex Solution #2

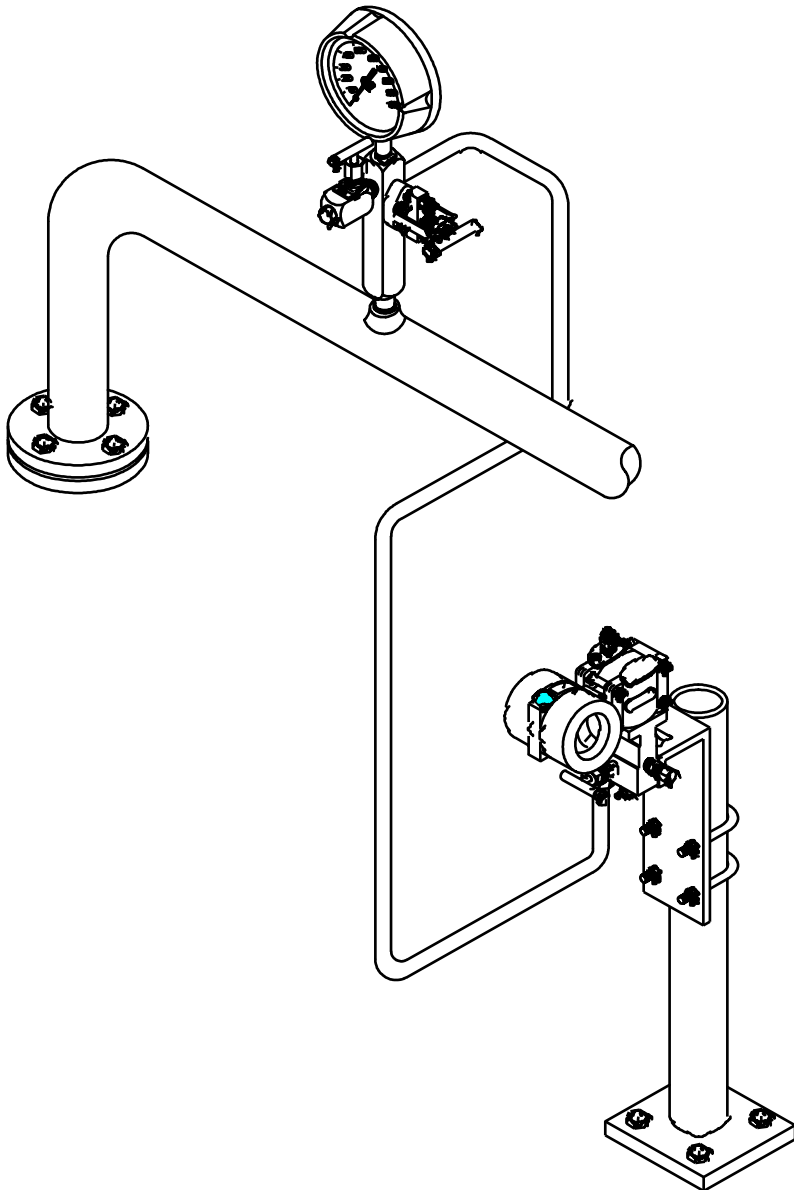
**Simplified remote mounted
gauge pressure transmitter
(*flanged inlet*).**



**Hex flanged
HM50 Block/
Vent/Calibrate
Manifold with
Hex HVMB
Removable
Manifold
Mounting
Bracket.**

Hex Solution #3

Alternate, vertical mounting arrangement.



**Hex HM50 Block/
Vent/Calibrate
Manifold with Hex
HVMB bracket.**